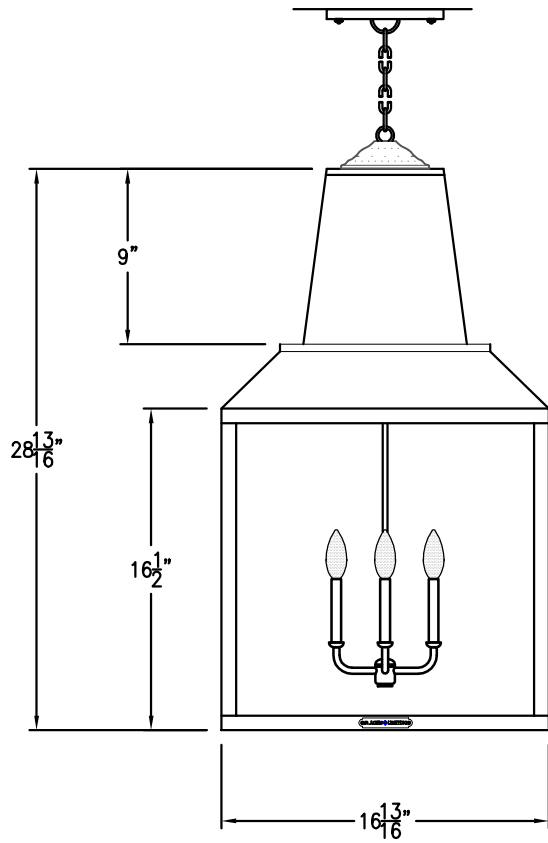
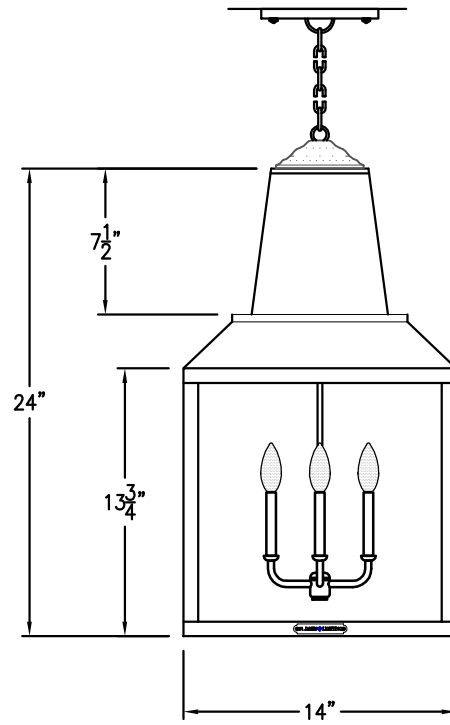


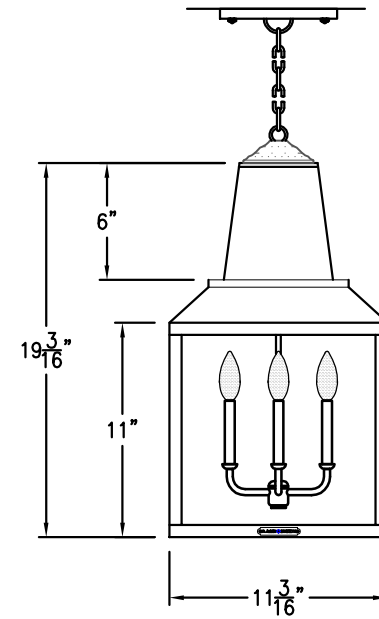
WINNSBORO



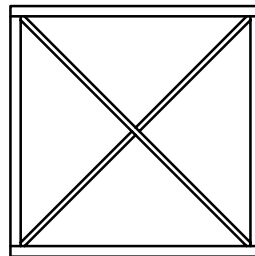
SCH-WINN-L-T




SCH-WINN-M-T



SCH-WINN-S-T



BOTTOM VIEW

Winnsboro	
 St. James LIGHTING	
SCALE: N.T.S.	DRAFT: J. Murry
FILE: WINNSBORO	APP'D: J. Ragan
JOB: X	DATE: 08/10/11